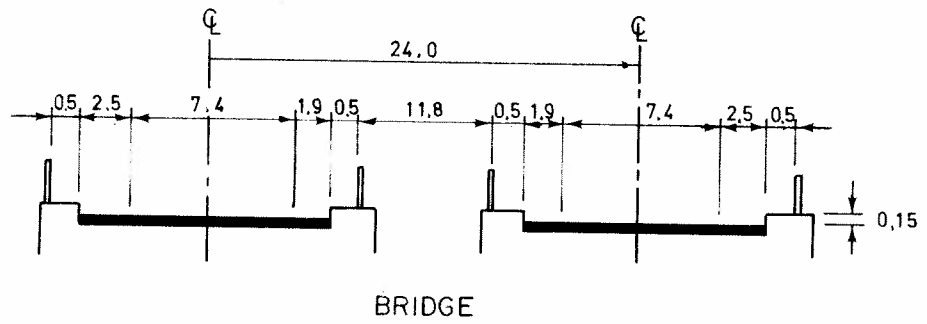
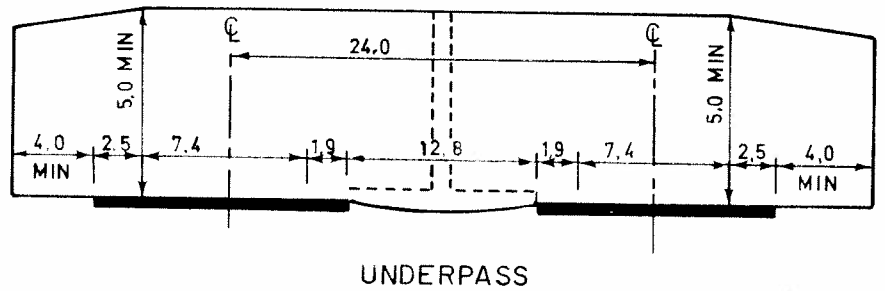
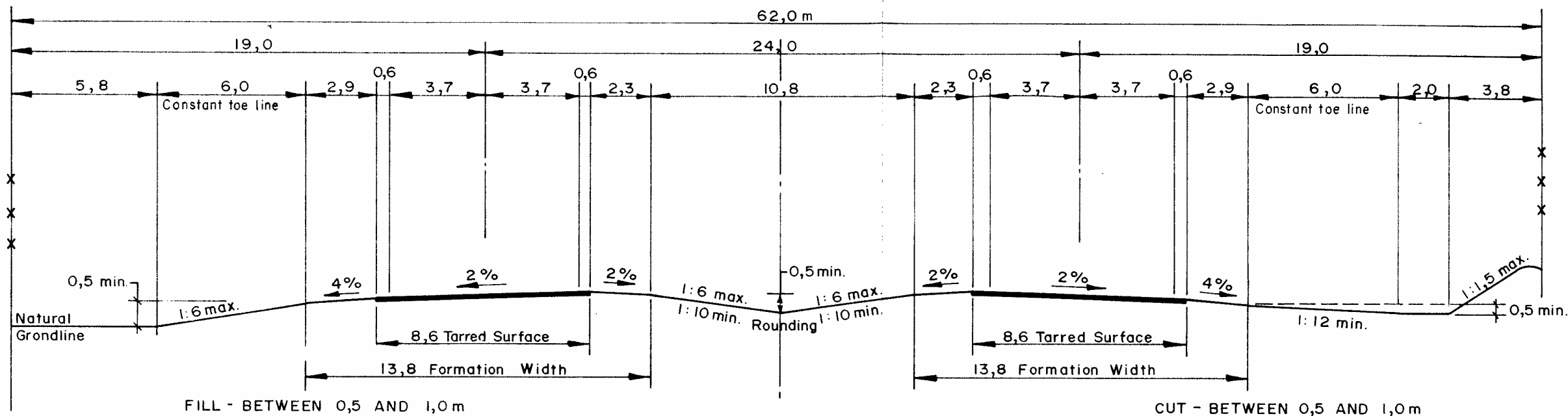


ROADWAY ELEMENTS AT STRUCTURES

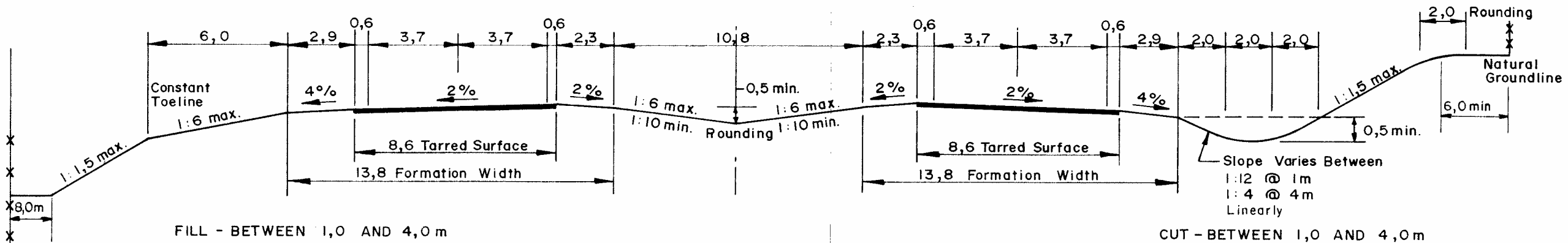


NOTE : NOT DRAWN TO SCALE

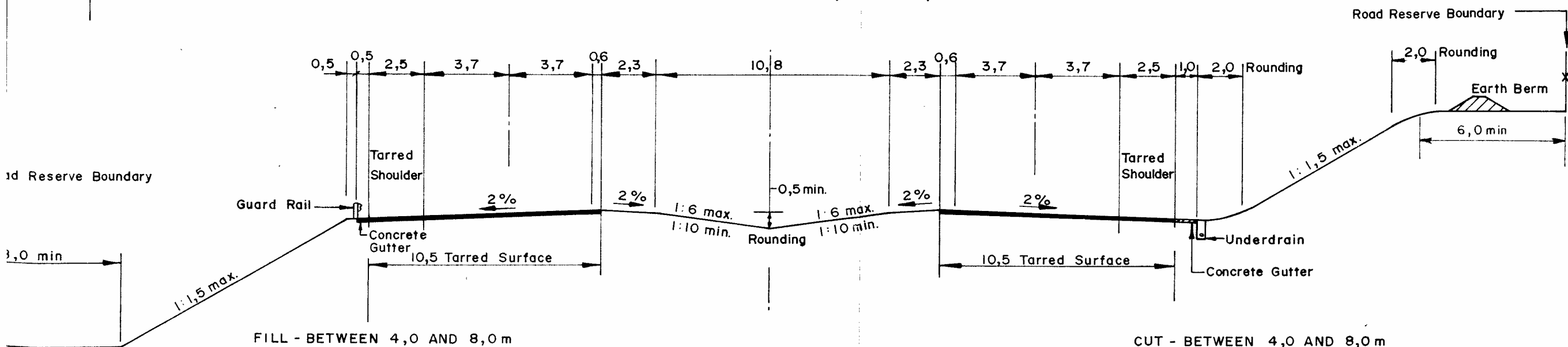




TYPICAL CROSS - SECTION
For Cuts & Fills Between 0,5 and 1,0 m



TYPICAL CROSS - SECTION
For Cuts & Fills Between 1,0 and 4,0 m



TYPICAL CROSS - SECTION
For Cuts & Fills Between 4,0 and 8,0 m

TYPICAL CROSS-SECTIONS FOR P.W.V. SECONDARY ROUTES

THE CROSS-SECTIONS ARE ACCORDING TO TRANSVAAL ROADS DEPARTMENT PLAN NO. T75/2 AND ARE SUBJECT TO POSSIBLE REVISIONS

SCALE : 1 : 200



PROV. ROAD No.
P.W.V. PAD Nr.
PLAN Nr. J/K/Ds.

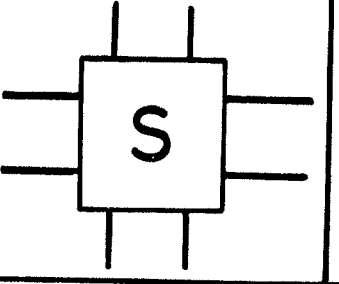
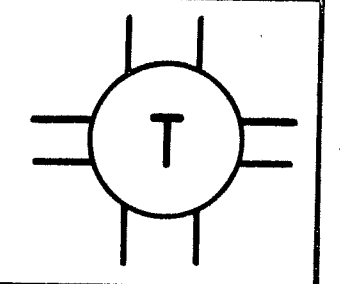
TIPIESE DWARSSNITTE
TYPICAL CROSS SECTIONS
SKAAL
SOOS AANGEDUI



SCALE
AS SHOWN

TRANSVAALSE PROVINSIALE ADMINISTRASIE
PAARDEPARTEMENT
TRANSVAAL PROVINCIAL ADMINISTRATION
ROADS DEPARTMENT

LEGEND USED ON 1:10 000 SCALE
LONGITUDINAL SECTION SHEETS

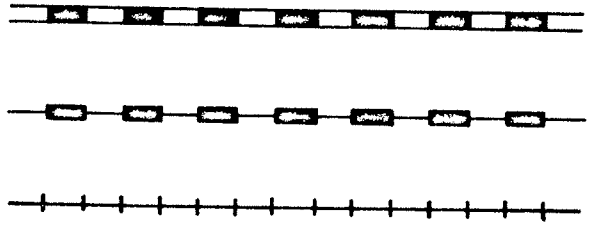
1. <u>ROADS</u>	FREEWAYS	SECONDARY ROADS
<p>1.1 EXISTING OR DESIGNED:</p> <p>(a) NO DEVIATIONS</p> <p>(b) MINOR DEVIATIONS</p> <p>1.2 PWV PROPOSALS:</p> <p>(a) ALIGNMENT APPROVED BY EXCO</p> <p>(b) ALIGNMENT RECOMMENDED IN REPORT</p> <p>(c) OTHER ALIGNMENTS PREVIOUSLY PROPOSED</p>	<p style="text-align: center;">N1 - 19</p> <p style="text-align: center;">PWV 16</p> <p style="text-align: center;">PWV 3 ALT. A</p> <p style="text-align: center;">PWV 3 ALT. B</p>	<p style="text-align: center;">P3-6 / K15</p> <p style="text-align: center;">K78</p> <p style="text-align: center;">K78 ALT. A</p> <p style="text-align: center;">K79 ALT. B</p>
2. <u>INTERCHANGES</u>	<p style="text-align: center;">SYSTEMS</p> <div style="text-align: center;">  </div>	<p style="text-align: center;">ACCESS</p> <div style="text-align: center;">  </div>

3. RAILWAY LINES

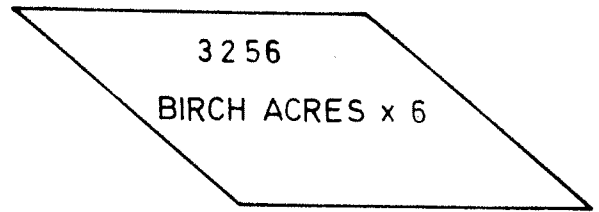
3-1 PROPOSED S.A.R. LINES
(APPROXIMATELY)

3-2 EXISTING S.A.R. MAIN LINES

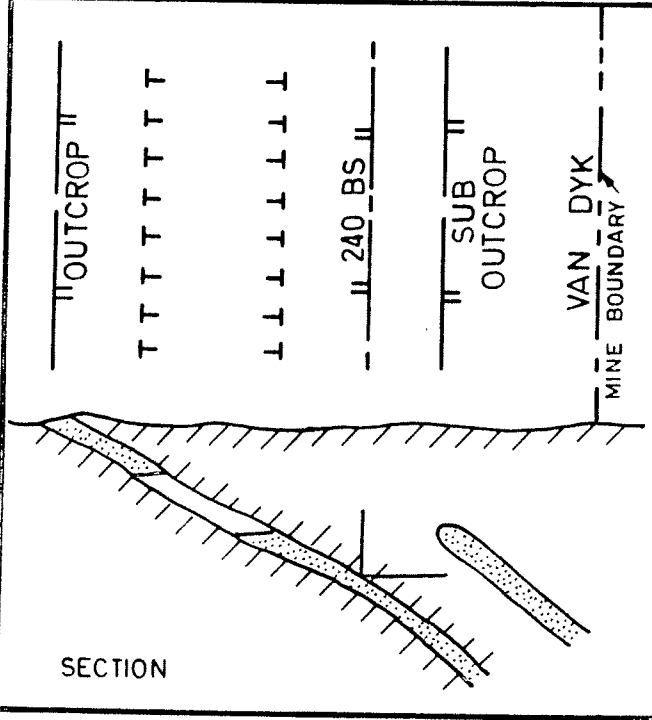
3-3 OTHER RAILWAY LINES



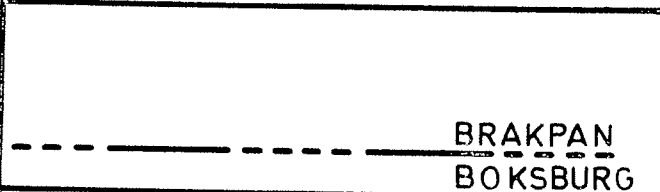
4. TOWNSHIP APPLICATIONS



5. UNDERMINING



6. MUNICIPAL BOUNDARIES



7. BOUNDARY OF PROCLAIMED MINING GROUND (APPROX.)



LIST OF TOWNSHIPS

PLAN NO. J/K29/1 Ls

3164	STRIJDOPARK EXT. 2
3287	STRIJDOPARK EXT. 4
3344	SHARONLEA EXT. 2
3345	SONNEGLANS EXT. 1
3436	SHARONLEA EXT. 3
3437	SHARONLEA
3461	STRIJDOPARK EXT. 1
3515	SONNEGLANS EXT. 4
3563	STRIJDOPARK EXT. 3
3777	SHARONLEA EXT. 1
3914	SHARONLEA EXT. 9
4001	SHARONLEA EXT. 6
4081	NORTHWOLD EXT. 1 (WITHDRAWN)
4211	MEADOWHURST EXT. 2
4280	GOLDEN HARVEST EXT. 1 (WITHDRAWN)
4377	SHARONLEA EXT. 7
4422	STRIJDOPARK EXT. 6
4426	STRIJDOPARK EXT. 7
4473	SHARONLEA EXT. 8
4582	SHARONLEA EXT. 10
4596	FERNDALE EXT. 11
4833	BRYANSTON GARDENS
4872	MEADOWHURST EXT. 1
4916	SHARONLEA EXT. 11
5089	NORTH RIDING GARDEN